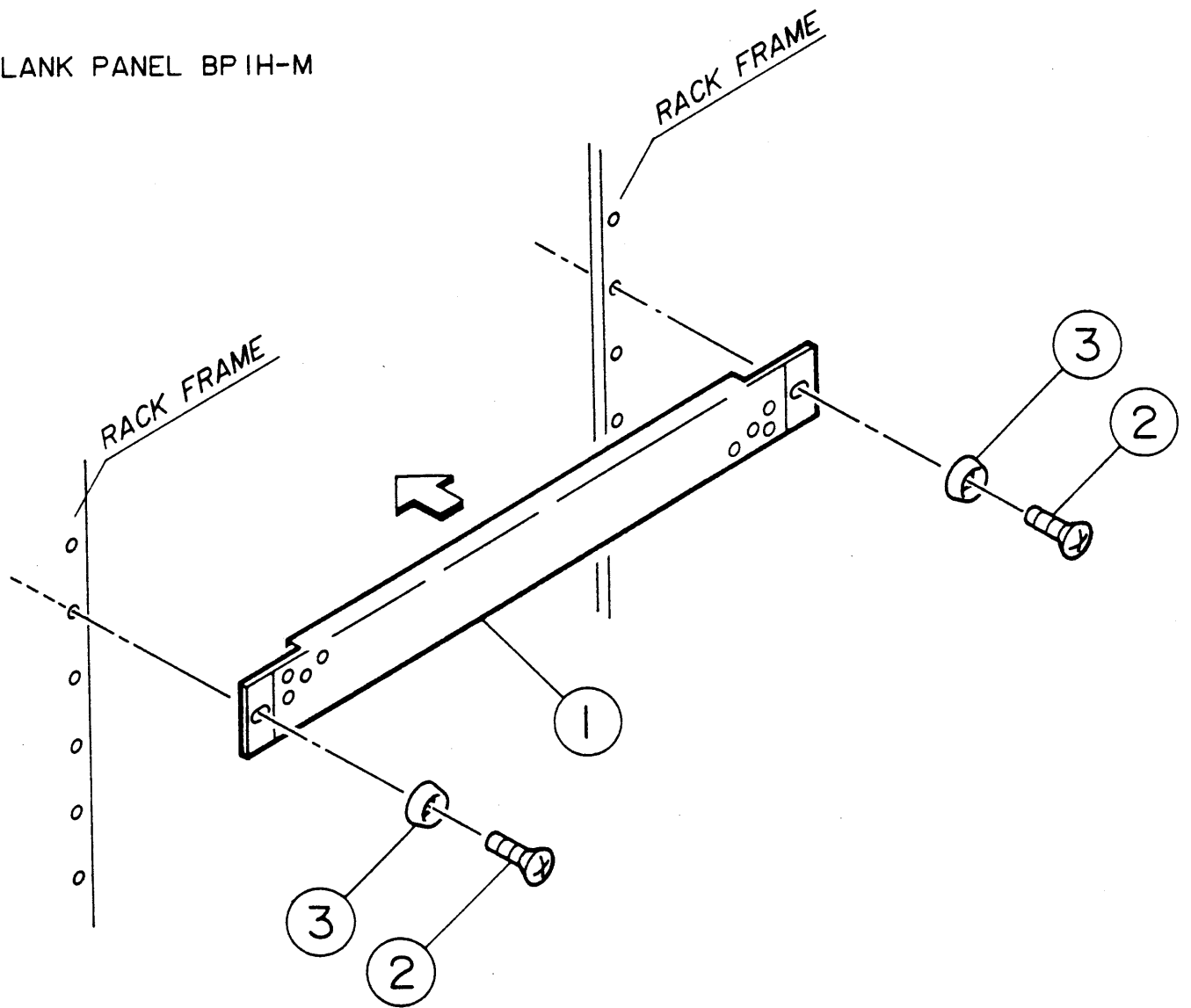


BLANK PANEL BP 1H-M



NO.	DESCRIPTION	QTY	CODE NO.
1	BLANK PANEL BP 1H-M	1	A4-923-101
2	SCREW, OVAL HEAD M5x0.8x14 B-NI	2	M2-002-091
3	FINISHING WASHER 5CW	2	M5-003-031